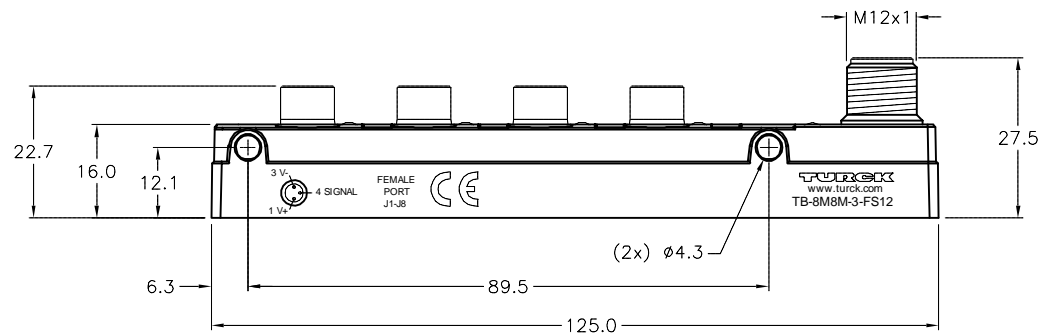
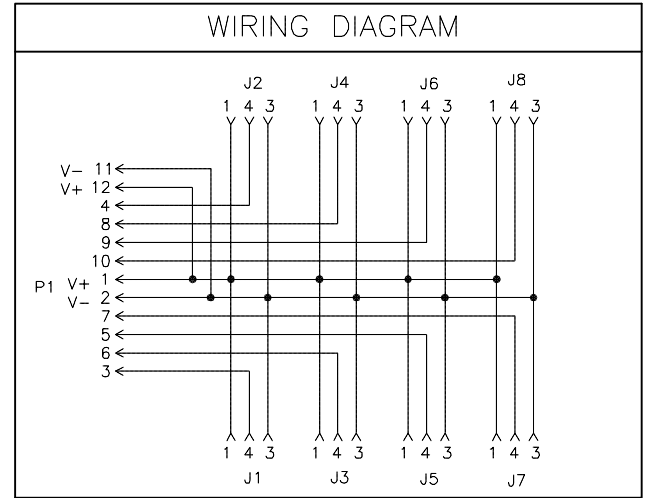
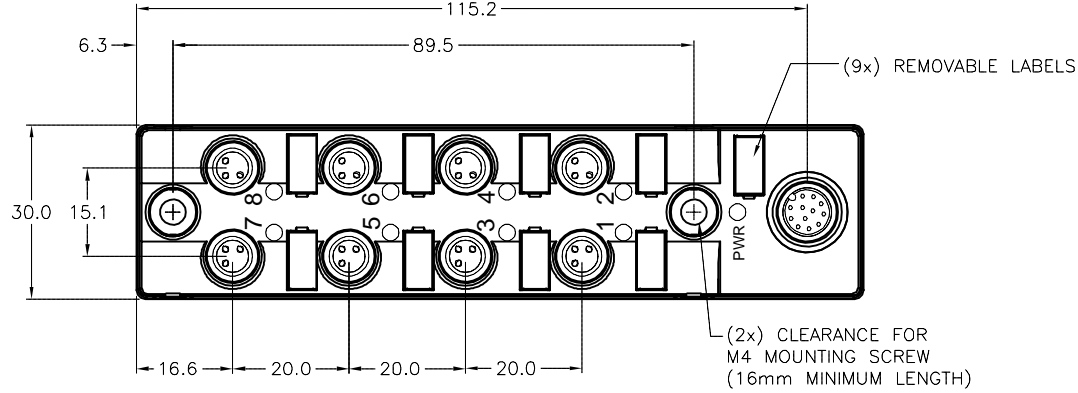


SPECIFICATIONS	
HOUSING MATERIAL/COLOR	NYLON/BLACK
RECEPTACLE MATERIAL/PLATING	BRASS/NICKEL
CONTACT CARRIER MATERIAL	NYLON
O-RING MATERIAL	FKM/FPM
CONTACT MATERIAL/PLATING	BRASS/GOLD
OPERATING VOLTAGE	30 VDC
OPERATING CURRENT	2.0A PER SIGNAL 2.0A TOTAL WHEN USING ONE POWER PAIR 4.0A TOTAL WHEN USING BOTH POWER PAIRS
PROTECTION CLASS to DIN 40050	IEC IP67, IP68, IP69K: ONLY WHEN ALL RECEPT. ARE COVERED WITH PLUGS OR CONNECTED
OPERATING TEMPERATURE	-40°C to +85°C (-40°F to +185°F)
MATING CORDSET	RKC 12T-*/S3477 FOR DUAL POWER PAIRS RKC 10T-*/S3477 FOR SINGLE POWER PAIR



SOURCE DRAWING - FOR REFERENCE ONLY

RELATED DOCUMENTS		3RD ANGLE PROJECTION		THIS DRAWING IS CONFIDENTIAL AND THE PROPERTY OF TURCK INC. USE OF THIS DOCUMENT WITHOUT WRITTEN PERMISSION IS PROHIBITED.		3000 CAMPUS DRIVE MINNEAPOLIS, MN 55441 1-800-544-7769 (763) 553-7300 (763) 553-0708 fax www.turck.us	
1.	2.			DRFT	RDS	DATE	11/02/17
3.	4.			APVD	L.F.	SCALE	1=1.3
MATERIAL		ALL DIMENSIONS DISPLAYED ON THIS DRAWING ARE FOR REFERENCE ONLY		UNIT OF MEASUREMENT		DESCRIPTION	
SEE SPECIFICATIONS		CONTACT TURCK FOR MORE INFORMATION		MILLIMETERS		TB-8M8M-3-FS12	
FINISH		SEE SPECIFICATIONS		DO NOT SCALE THIS DRAWING		IDENTIFICATION NO.	
SEE SPECIFICATIONS		SEE SPECIFICATIONS		DO NOT SCALE THIS DRAWING		U2-28809	
C	ADD CE	NF	01/14/19	68151	FILE: U2-28809		REV
REV	DESCRIPTION	BY	DATE	ECO NO.	SHEET 1 OF 1		C